

# DIRECT REPLACEMENT FOR:

## RS, ES, MQT, (McQuay, Singer, Remington)



*Premium, . . . meet Affordable!*

*New high performance design!  
energy efficient! quiet! durable!*



\* 1ST YEAR PARTS AND LABOR  
2ND TO 6TH YEAR COMPRESSOR PARTS  
FREE PARTS SHIPPING  
OPTIONAL 6 YEAR COMPRESSOR LABOR

**ENERGY EFFICIENT** - Performance verified by 3rd party laboratory.

**VERY QUIET** - Acoustic noise reduction materials and optimized blower designs for unmatched comfort.

**HIGH PERFORMANCE** - Superior high static pressure blower designs. Premium components for unmatched reliability and durability.

**EASY INSTALLATION** - Direct replacement for RS, ES, MQT, requiring no sleeve or louver modifications using original RS, ES, MQT - style front panel.

**MODERN ELECTRONIC CONTROL** - Optional Electronic Touchpad controls with EMS connection and switchable to 24V remote wall thermostat.



Electronic  
or  
Mechanical  
Control



Large slow-turning outdoor blower for highest efficiency and calm low decibels inside and outside!



VERIFIED FOR ENERGY PERFORMANCE

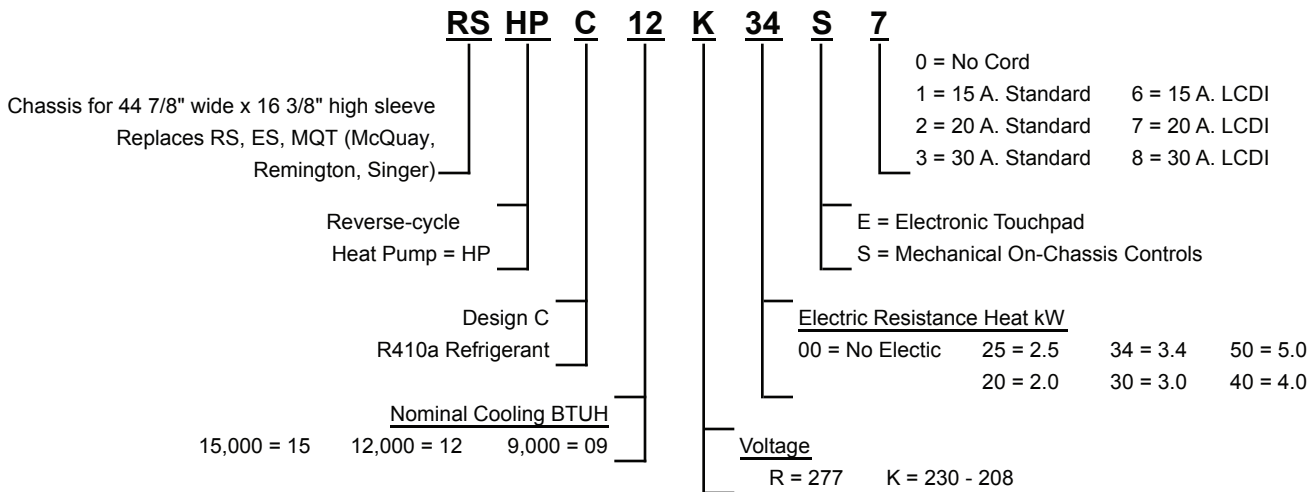
### ACCESSORIES:

<b>ACCRS_FTCOVER_BOTTOMFL</b>	Room Front Cover -- single panel powder coated and insulated -- no return air facility in front panel (indoor air pulled in through sleeve bottom) -- Includes ACCRSFILTER Aluminum Filter for replacement in bottom of wall sleeve.
<b>ACCRSEARETROFITKIT</b>	Complete Retrofit Kit -- for installing RS/ES/MQT chassis into original McQuay, Sing., Rem. EA/MEA/PMES/PMRS sleeve -- includes ACCRSFTCOVER_FRONTFL, and an open-full-width outlet grille and control door assembly to fit EA-style sleeve.
<b>ACCRSFTCOVER_FRONTFL</b>	Replacement front cover to refresh worn out front panel on existing EA wall sleeve that has already been properly retrofitted to use McQuay, Singer, Remington RS/ES/MQT chassis in an EA wall sleeve. Return air flows through perimeter edges of the front panel into full width air filter suited to the dual blowers of RS/ES/MQT. Powder coated and insulated. Includes ACCRSFILTER Aluminum Filter to use in front panel filter holder.
<b>ACCRSFILTER</b>	Aluminum Mesh Filter -- replacement filter for bottom of RS/ES/MQT Sleeves -- Also fits into ACCRSFTCOVER_FRONTFL
<b>ACCRSSLEEVE</b>	Wall Sleeve -- 44 7/8" wide x 16 3/8" high x 20" deep -- can also replace existing McQuay, Singer, Remington RS/ES/MQT style sleeves -- includes top louver and control door (Note: Air filter and front covers must be ordered separately).
<b>ACCRSOUTLETGRILLE</b>	In-room outlet grille assembly including control door. Used for in-room outlet grille replacements in older RS/ER/MQT sleeves. <u>NOT FOR USE</u> in Applied Comfort RS sleeves (ACCRSSLEEVE) - for that, use ACCEAGRILLE and discard filler plate.
<b>ACCEAGRILLE_ANODIZED</b>	Architectural Grille -- Anodized Aluminum - Silver
<b>ACCEASSGRILLE_BEIGE</b>	Stamped Steel Grille -- Powder-coated - Beige
<b>ACCEASSGRILLE_SILVER</b>	Stamped Steel Grille -- Powder-coated - Silver
<b>ACCFADOOR</b>	Fresh Air Door Kit, manually-operated. Must be field-installed
<b>ACCRS_ESDRAINKIT</b>	Drain Kit- Internal for RS/ES

Special custom paint colours are available for all outdoor grilles

Premium

Affordable



### RSHP Heat Pump with Electric Resistance Backup Heat

Model	Voltage	Hz	Cooling					Resistance Heat			Min. Circuit Amps	MOP* Fuse Amps	Electrical Plug (NEMA)	Indoor CFM HIGH°	Indoor CFM LOW°	Vent CFM	Net Wt. lbs.
			BTU/Hr.	EER	Amps	S/T	Pts./hr.	BTU/Hr.	kW	Amps							
RSHPC09K00	230 - 208	60	9900	11.1	4.4/4.6	.78	1.9	N/A	N/A	N/A	5.7	15	#6-15P	390/375	345/315	90	149
RSHPC09K25	230 - 208	"	9900	11.1	4.4/4.6	.78	1.9	8700/7400	2.5/2.1	11.4/10.4	14.3	15	#6-15P	390/375	345/315	90	149
RSHPC09K34	230 - 208	"	9900	11.1	4.4/4.6	.78	1.9	11800/9800	3.4/2.8	15.3/14.0	19.1	20	#6-20P	390/375	345/315	90	149
RSHPC09K50	230 - 208	"	9900	11.1	4.4/4.6	.78	1.9	17300/14200	5.0/4.1	22.3/20.3	27.9	30	#6-30P	390/375	345/315	90	149
RSHPC12K00	230 - 208	"	12900	10.2	6.1/6.3	.70	3.5	N/A	N/A	N/A	8.1	15	#6-15P	390/375	345/315	90	149
RSHPC12K25	230 - 208	"	12900	10.2	6.1/6.3	.70	3.5	8700/7400	2.5/2.1	11.4/10.4	14.3	15	#6-15P	390/375	345/315	90	149
RSHPC12K34	230 - 208	"	12900	10.2	6.1/6.3	.70	3.5	11800/9800	3.4/2.8	15.3/14.0	19.1	20	#6-20P	390/375	345/315	90	149
RSHPC12K50	230 - 208	"	12900	10.2	6.1/6.3	.70	3.5	17300/14200	5.0/4.1	22.3/20.3	27.9	30	#6-30P	390/375	345/315	90	149
RSHPC15K00	230 - 208	"	15100	9.6	7.6/7.8	.67	4.5	N/A	N/A	N/A	9.9	15	#6-15P	390/375	345/315	90	149
RSHPC15K25	230 - 208	"	15100	9.6	7.6/7.8	.67	4.5	8700/7400	2.5/2.1	11.4/10.4	14.3	15	#6-15P	390/375	345/315	90	149
RSHPC15K34	230 - 208	"	15100	9.6	7.6/7.8	.67	4.5	11800/9800	3.4/2.8	15.3/14.0	19.1	20	#6-20P	390/375	345/315	90	149
RSHPC15K50	230 - 208	"	15100	9.6	7.6/7.8	.67	4.5	17300/14200	5.0/4.1	22.3/20.3	27.9	30	#6-30P	390/375	345/315	90	149
RSHPC09R00	277	"	9900	11.1	4.3	.78	1.9	N/A	N/A	N/A	5.4	15	#7-20P	380	335	90	149
RSHPC09R20	277	"	9900	11.1	4.3	.78	1.9	7000	2.0	7.6	9.5	15	#7-20P	380	335	90	149
RSHPC09R30	277	"	9900	11.1	4.3	.78	1.9	10400	3.0	11.2	14.0	15	#7-20P	380	335	90	149
RSHPC09R40	277	"	9900	11.1	4.3	.78	1.9	13900	4.0	14.8	18.5	20	#7-20P	380	335	90	149
RSHPC12R00	277	"	12900	10.2	5.6	.70	3.5	N/A	N/A	N/A	7.2	15	#7-20P	380	335	90	149
RSHPC12R20	277	"	12900	10.2	5.6	.70	3.5	7000	2.0	7.6	9.5	15	#7-20P	380	335	90	149
RSHPC12R30	277	"	12900	10.2	5.6	.70	3.5	10400	3.0	11.2	14.0	15	#7-20P	380	335	90	149
RSHPC12R40	277	"	12900	10.2	5.6	.70	3.5	13900	4.0	14.8	18.5	20	#7-20P	380	335	90	149
RSHPC15R00	277	"	15100	9.6	7.0	.67	4.5	N/A	N/A	N/A	8.8	15	#7-20P	380	335	90	149
RSHPC15R20	277	"	15100	9.6	7.0	.67	4.5	7000	2.0	7.6	9.5	15	#7-20P	380	335	90	149
RSHPC15R30	277	"	15100	9.6	7.0	.67	4.5	10400	3.0	11.2	14.0	15	#7-20P	380	335	90	149
RSHPC15R40	277	"	15100	9.6	7.0	.67	4.5	13900	4.0	14.8	18.5	20	#7-20P	380	335	90	149

\*Time Delay Fuse or HCAR Circuit Breaker ---- °Dry Coil ---- 277v models are permanently connected using 20amp non-LCDI cords.

THIS IS PRELIMINARY DATA

--- APPLIED COMFORT WILL UPDATE THIS DATA TABLE ONCE 3rd PARTY ETL ENERGY VERIFICATION IS COMPLETE.

Specifications Subject to Change Without Notice

All brands and product names are trademarks or registered trademarks of their respective owners.